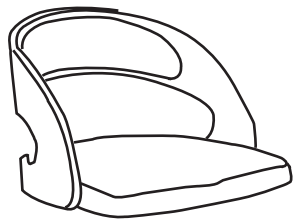
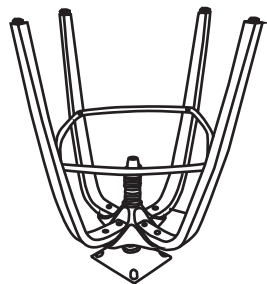


1\*1



2\*1



A\*4+1EXT



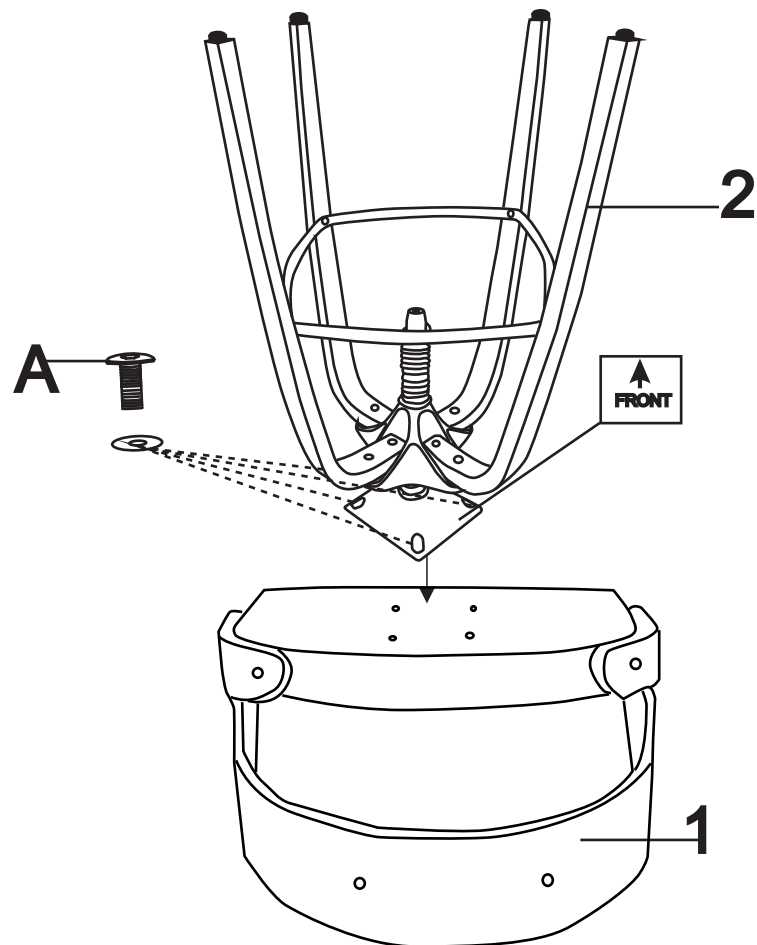
M6\*20MM

G\*1



M6

1



2

