

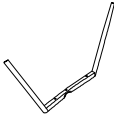

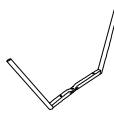

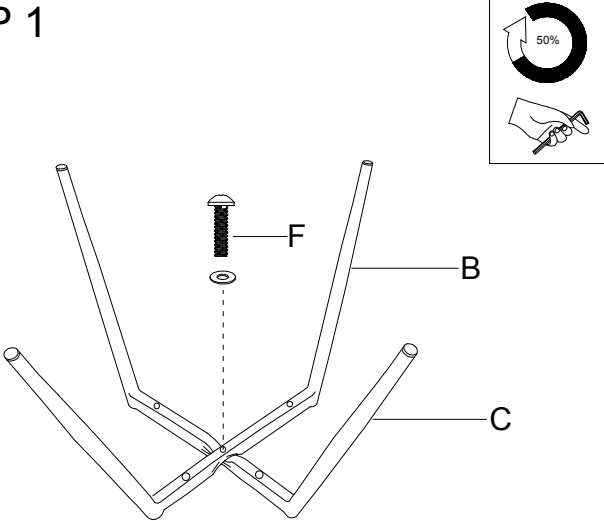


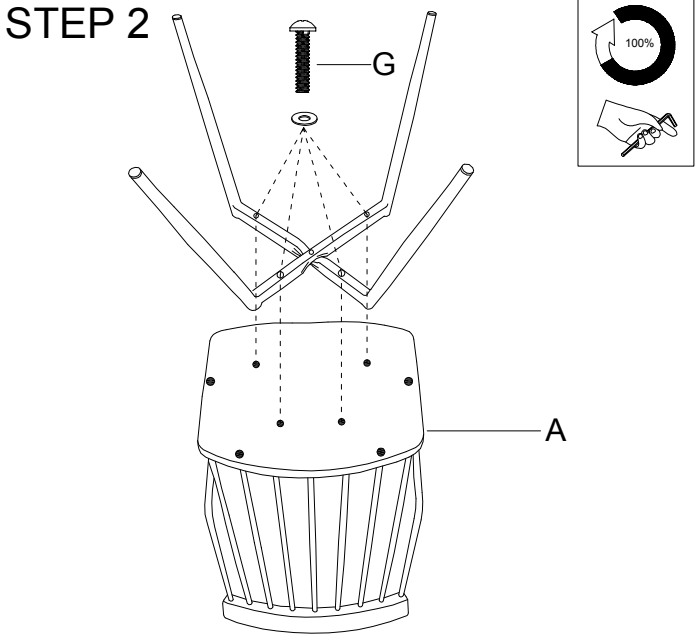
Assembly Instruction

| | | | |
|-----|---|----------|--|
| A*1 |  | F*1+1EXT |  M6*30MM |
| B*1 |  | G*4+1EXT |  M6*45MM |
| C*1 |  | L*1 |  M6 |

STEP 1



STEP 2



STEP 3

