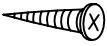
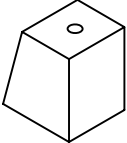


ASSEMBLY INSTRUCTION

A		8mmX1-3/4"	4PCS
B			4PCS

