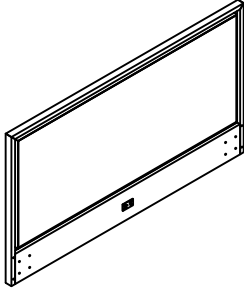
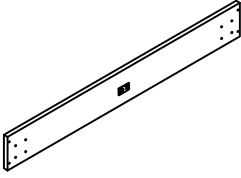
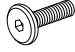
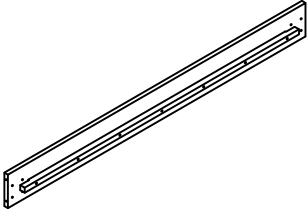
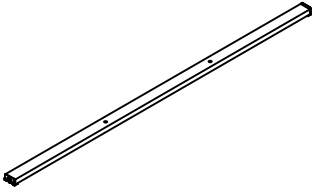

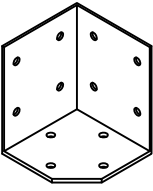
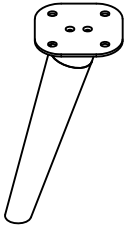

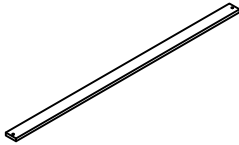







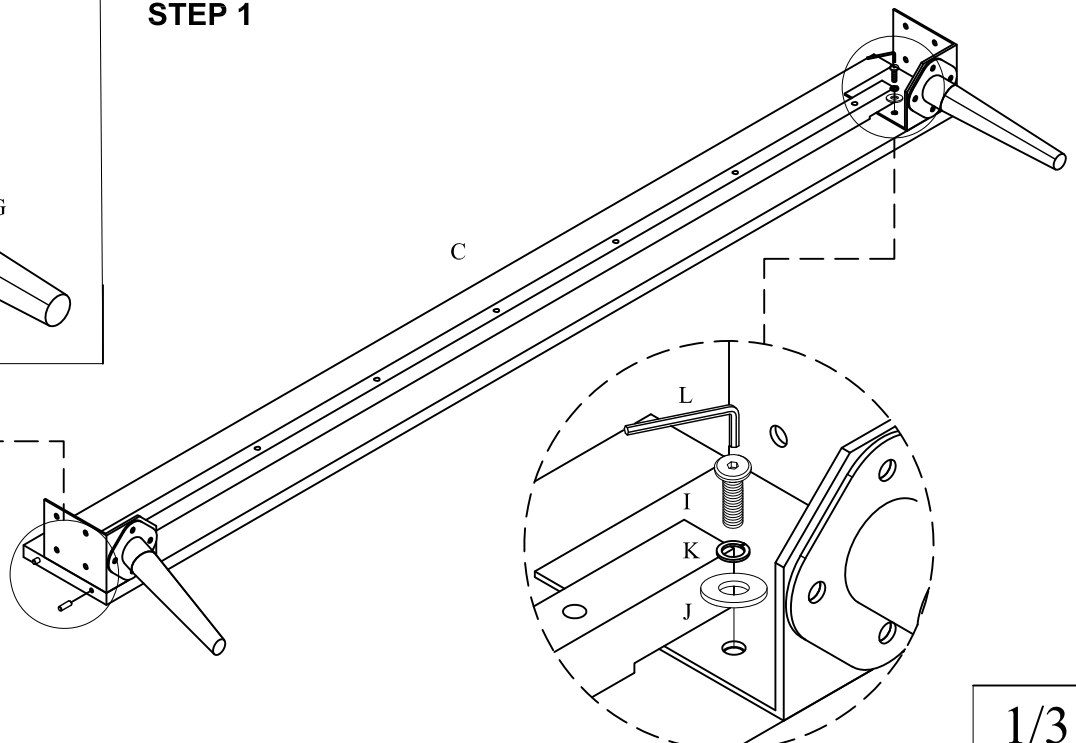
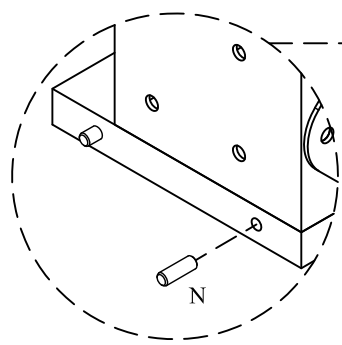
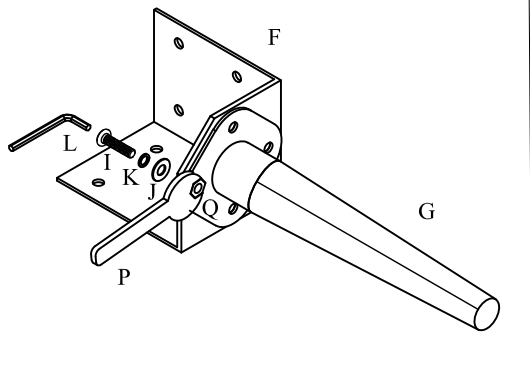


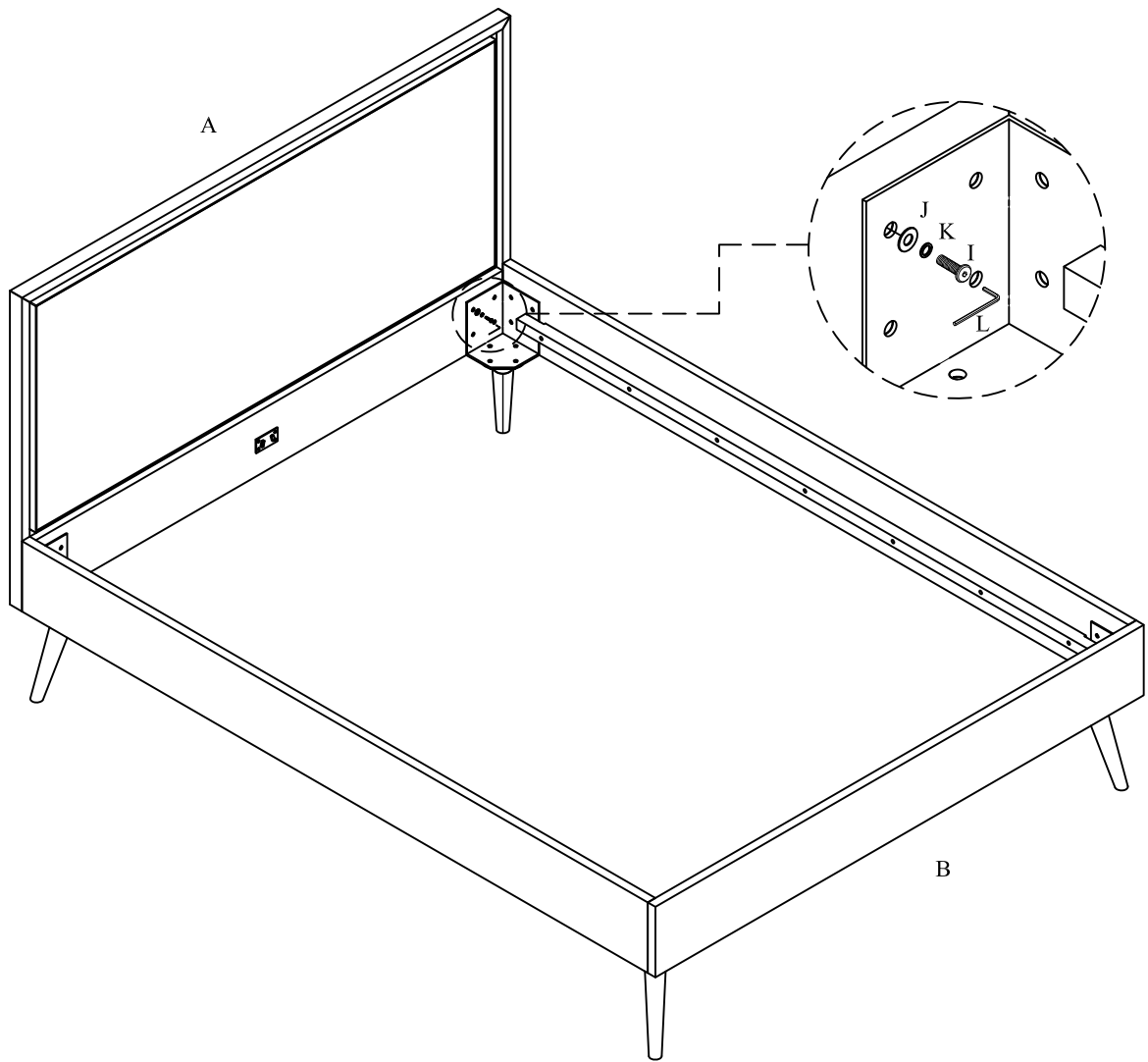
LCCOBDALQN

 <p>A: Head x 1</p>	 <p>B: End x 1</p>	 <p>I: Bolt M8*20mm x 48</p>
 <p>C: Side x 2</p>	 <p>D: Support x 1</p>	 <p>J: Washer x 48</p>
 <p>F: Bracket x 4</p>	 <p>G: Leg x 4</p>	 <p>K: Washer x 48</p>
 <p>E: Slat x 16</p>	 <p>H: Support Leg x 2</p>	 <p>L: Allen wrench x 1</p>
		 <p>M: Bolt M6*35mm x 2</p>
		 <p>N: Dowel-wood x 8</p>
		 <p>O: Screw M4x25 x 8</p>
		 <p>P: Wrench V13 x 1</p>
		 <p>Q: Nut M8 x 16</p>

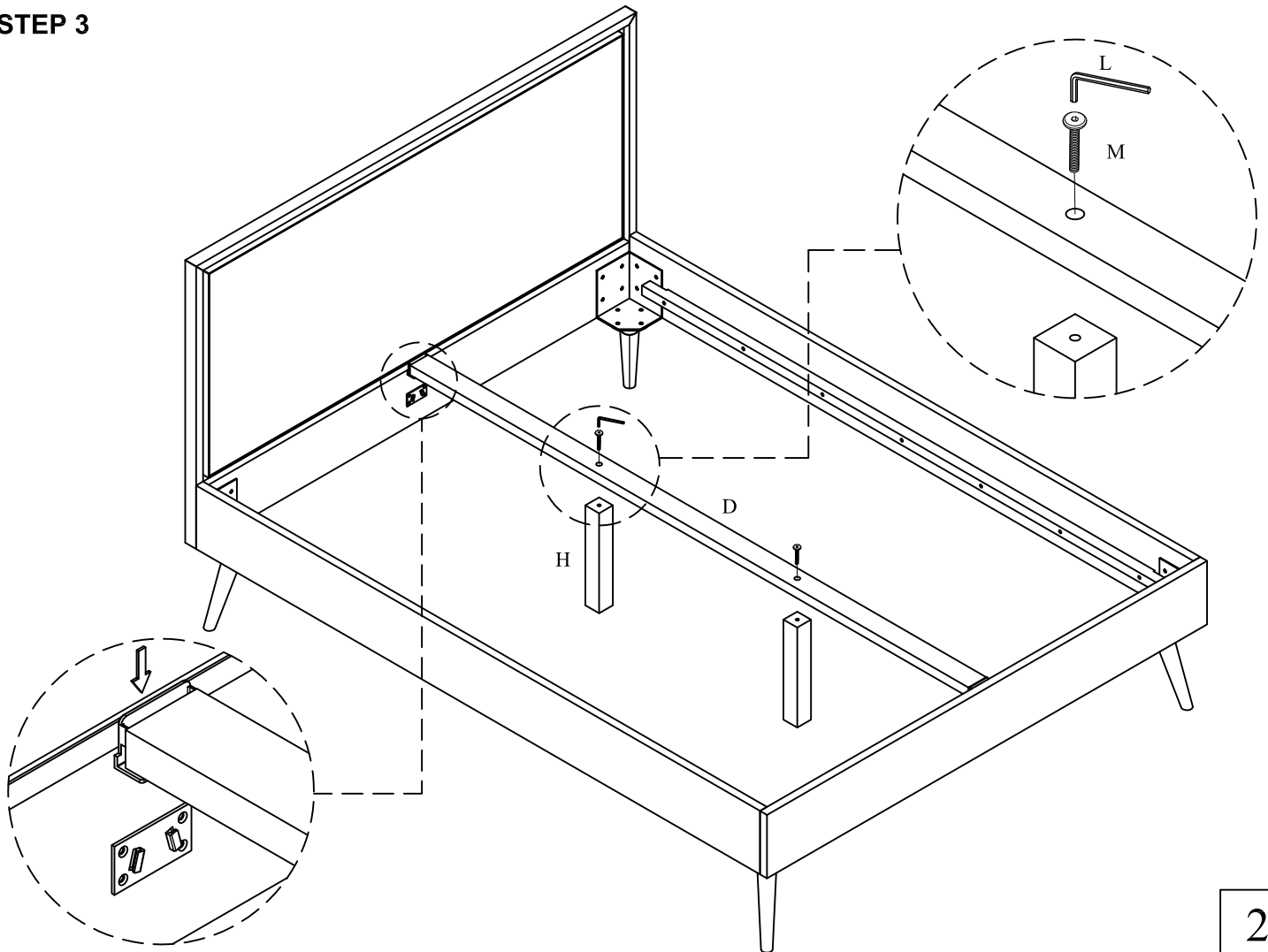
STEP 1



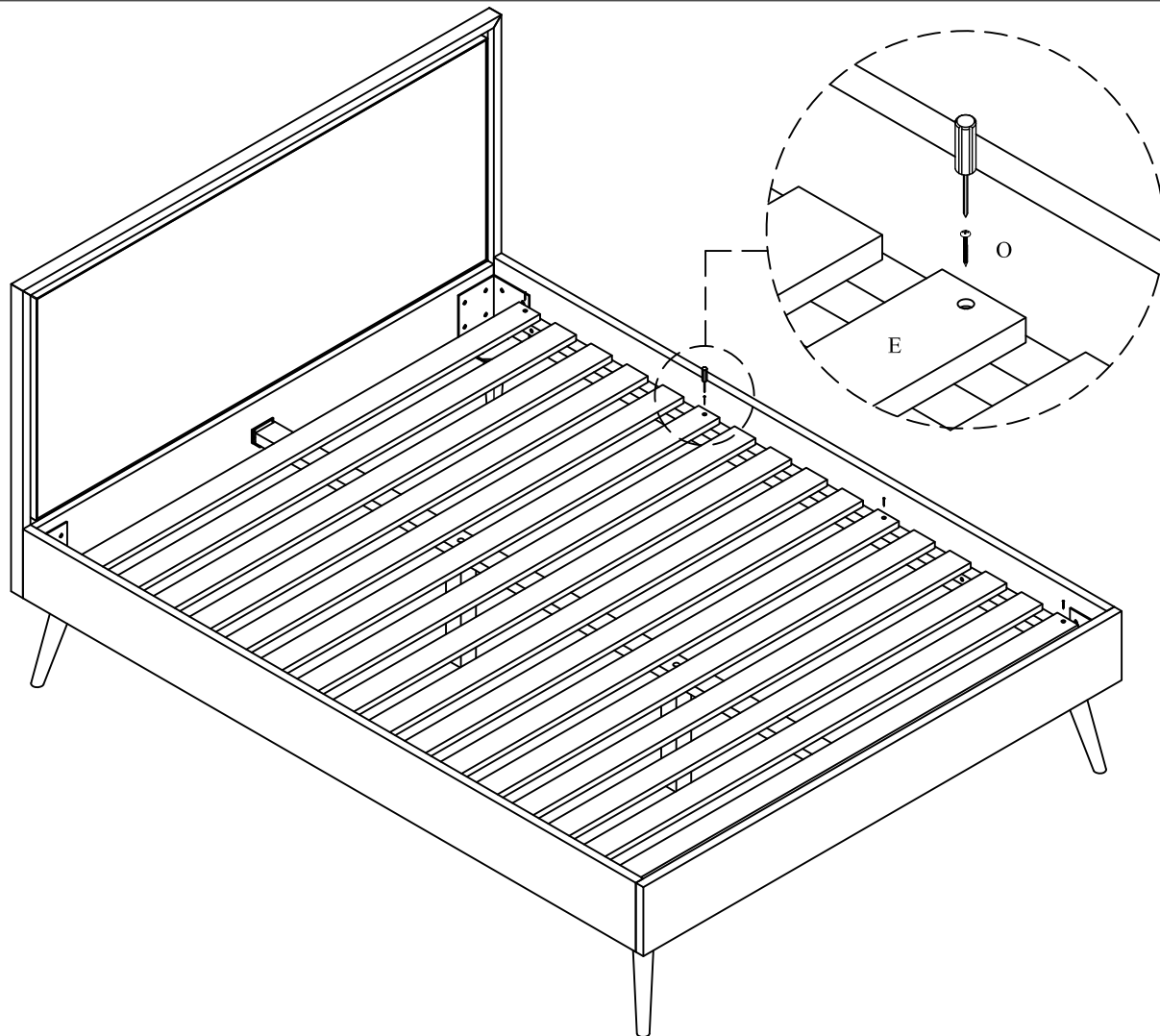
STEP 2



STEP 3



STEP 4



FINISHED

