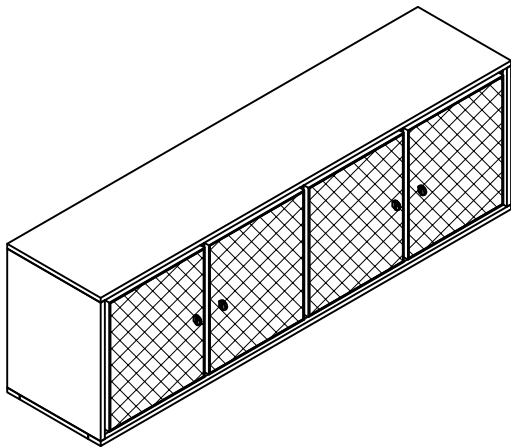
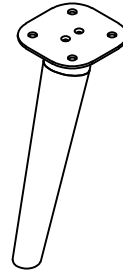


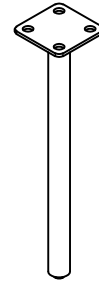
## LCCOBUBAL



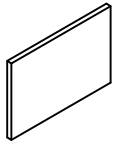
A: Chest x 1



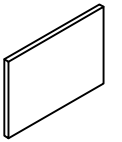
B: Leg x 4



C: Support Leg x 1

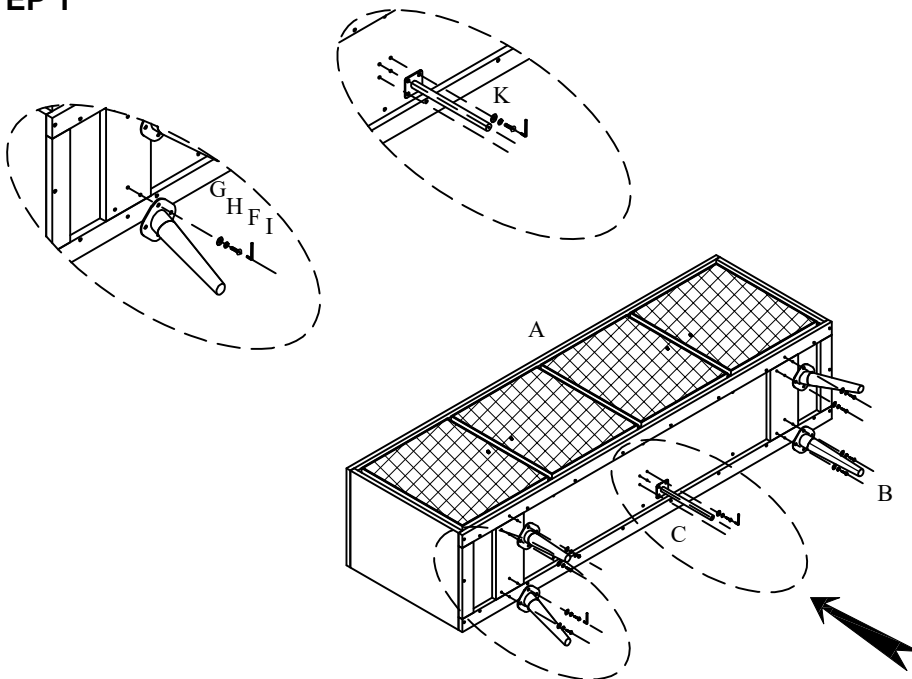


D: Large shelf x



E: Small shelf x 2

### STEP 1



F: Bolt M6\*20mm x 20



G: Washer x 20



H: Washer x 20

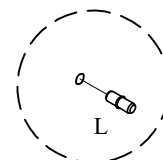
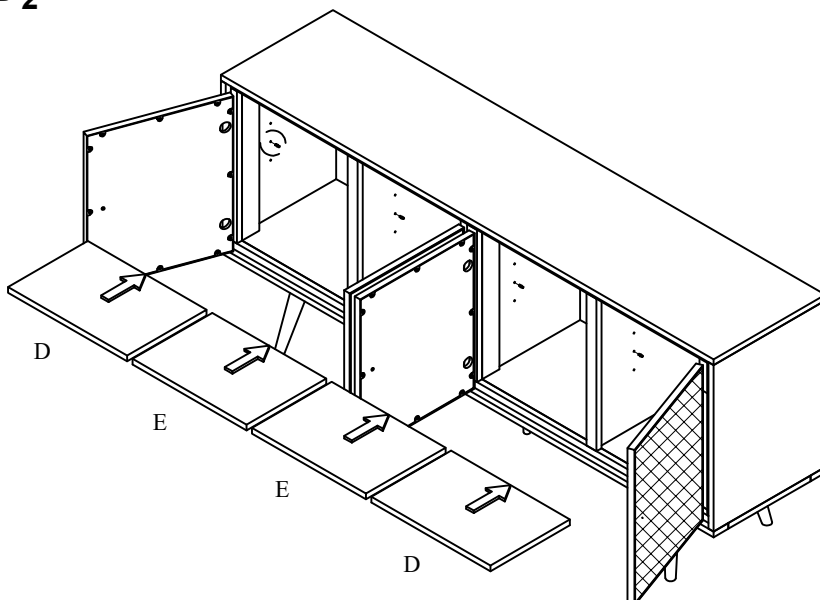


I: Allen wrench x 1

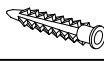
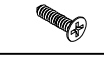
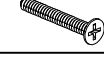
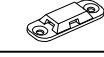


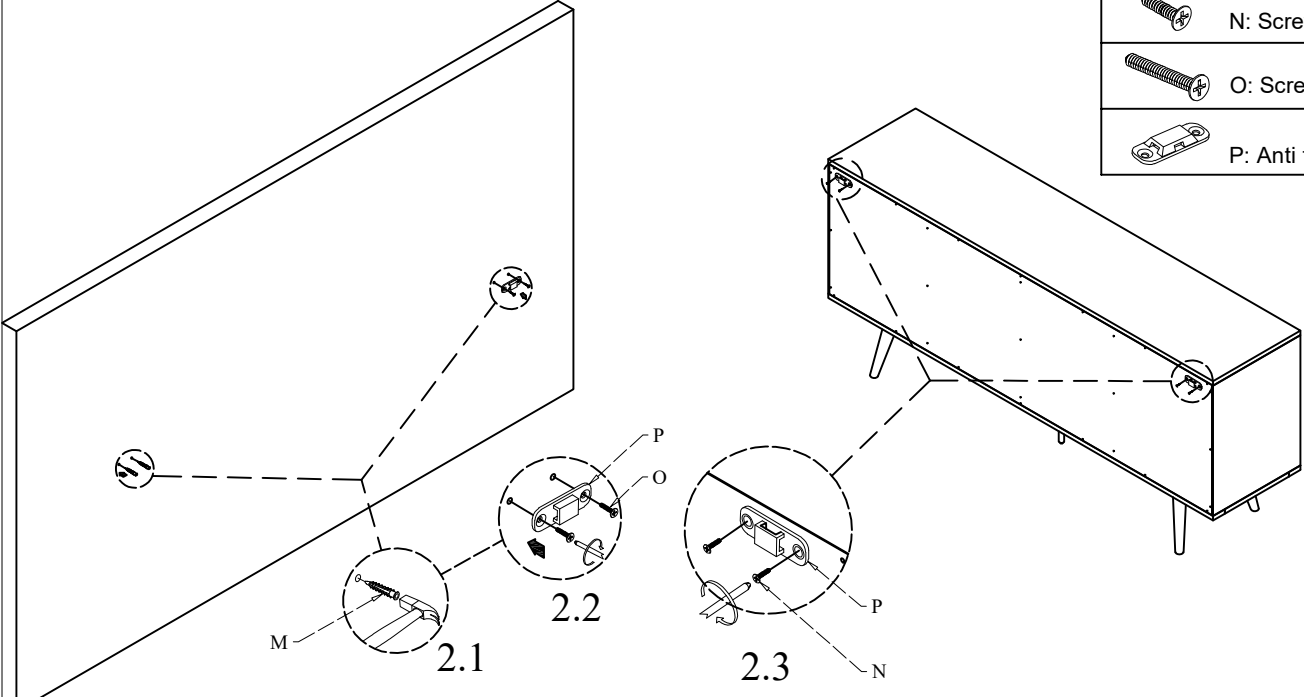
L: Support shelf x 16

### STEP 2

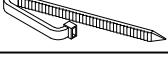


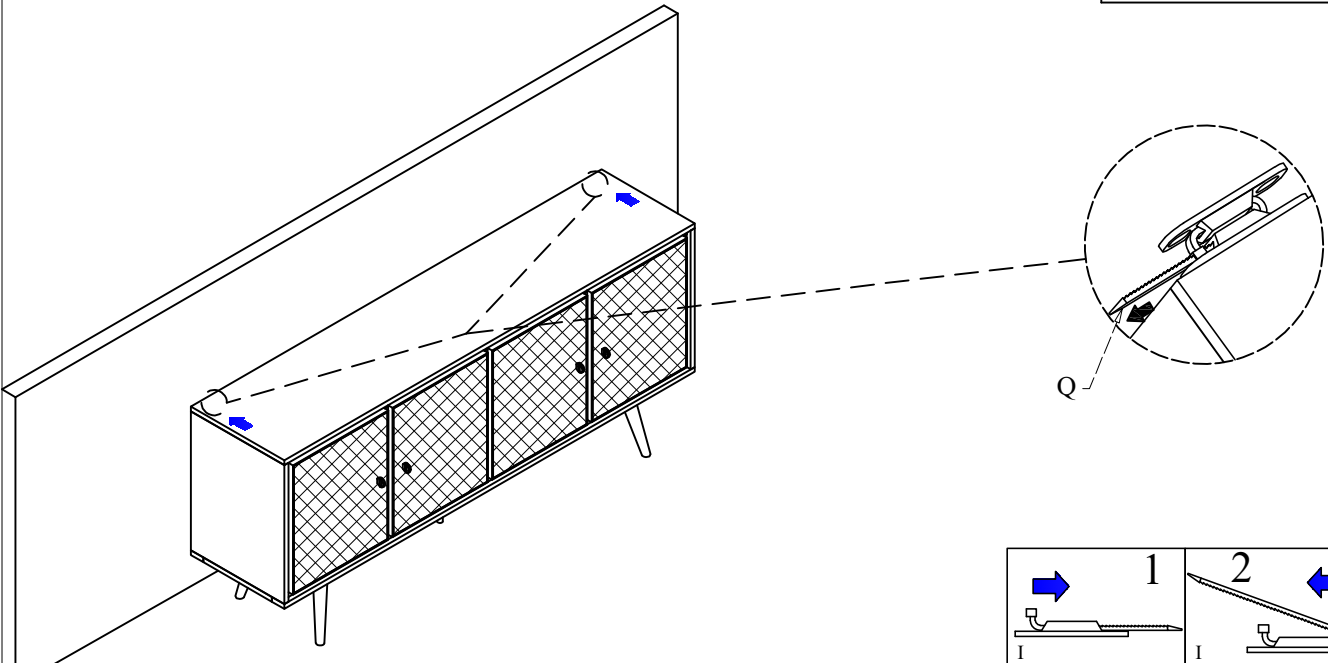
### STEP 3

	M: Insert nut M6*50mm x 4
	N: Screw M4*20 x 4
	O: Screw M4*40 x 4
	P: Anti flip A x 4



### STEP 4

	Q: Anti flip B x 2
-------------------------------------------------------------------------------------	--------------------



### STEP 5

