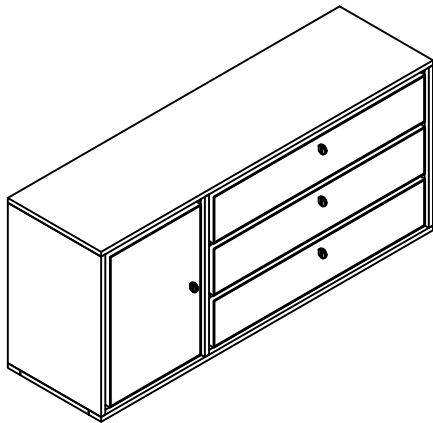
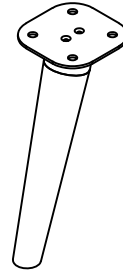


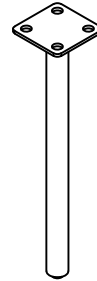
LCCODRBAL



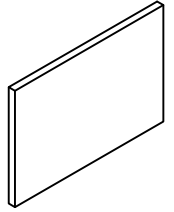
A: Chest x 1



B: Leg x 4

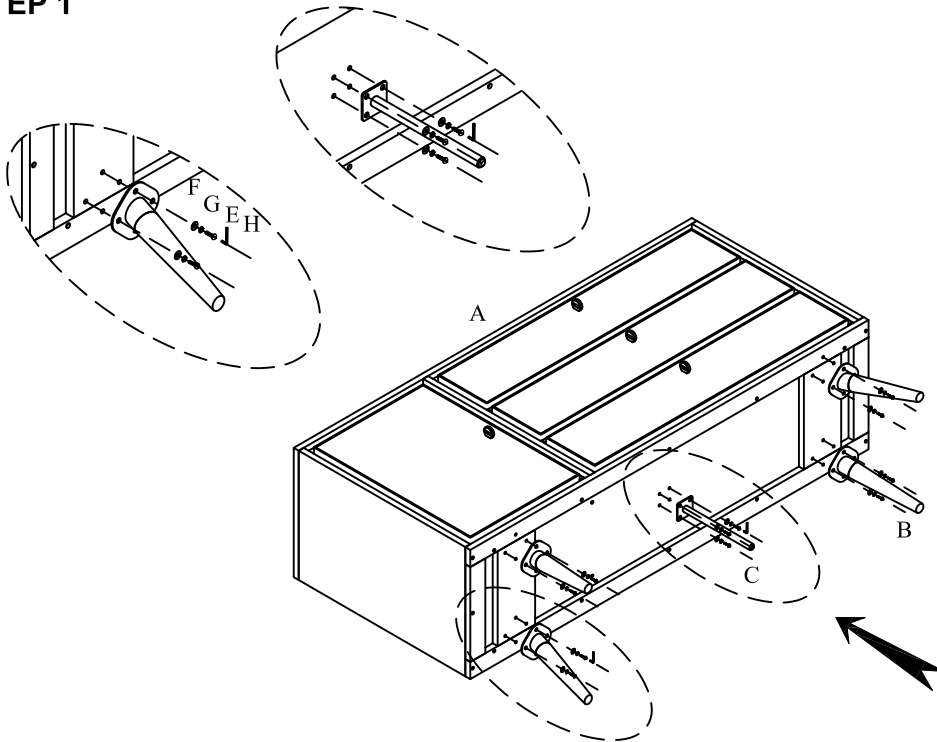


C: Support Leg x 1



D: Shelf x 1

STEP 1



E: Bolt M6*20mm x 20



F: Washer x 20



G: Washer x 20

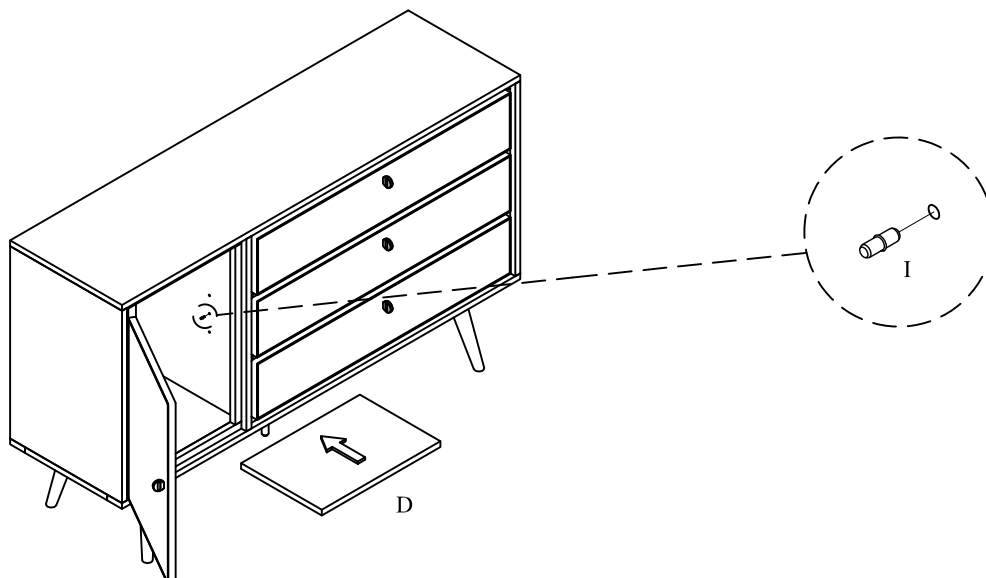


H: Allen wrench x 1







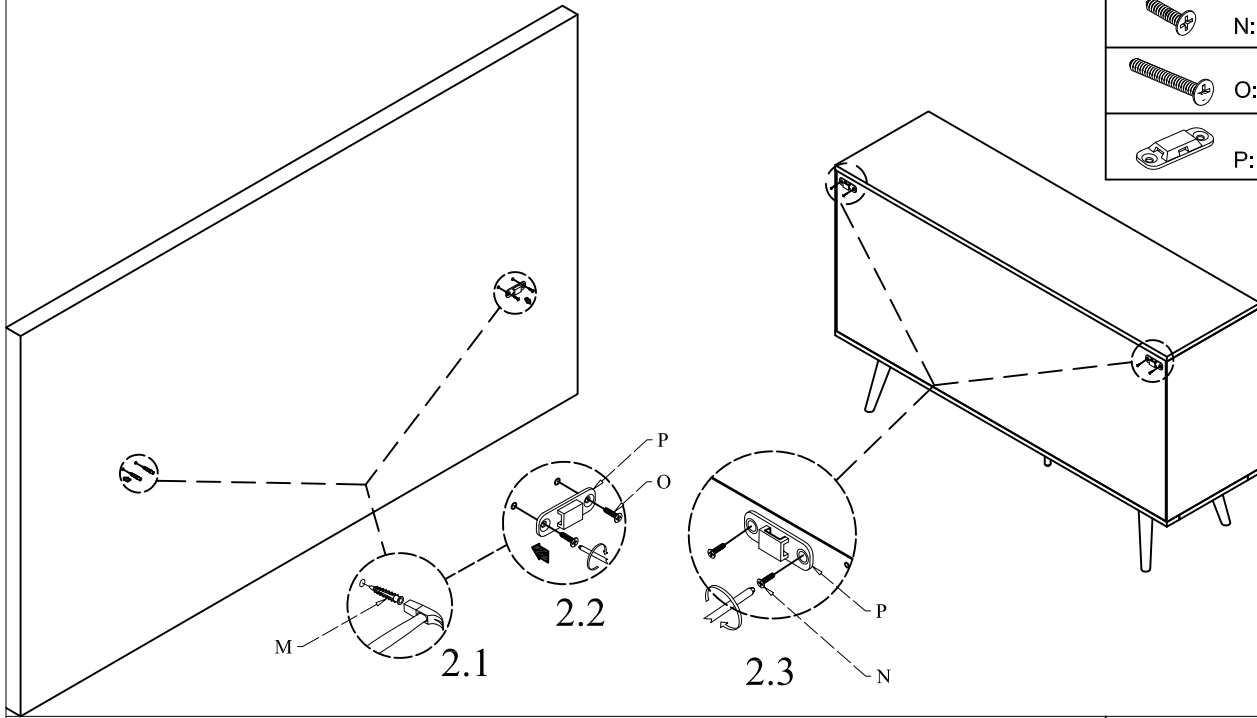
I: Support ting shelf x 4

STEP 2

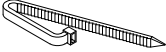


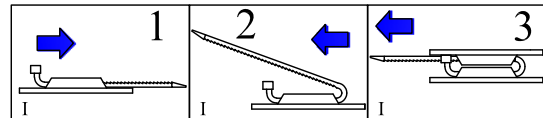
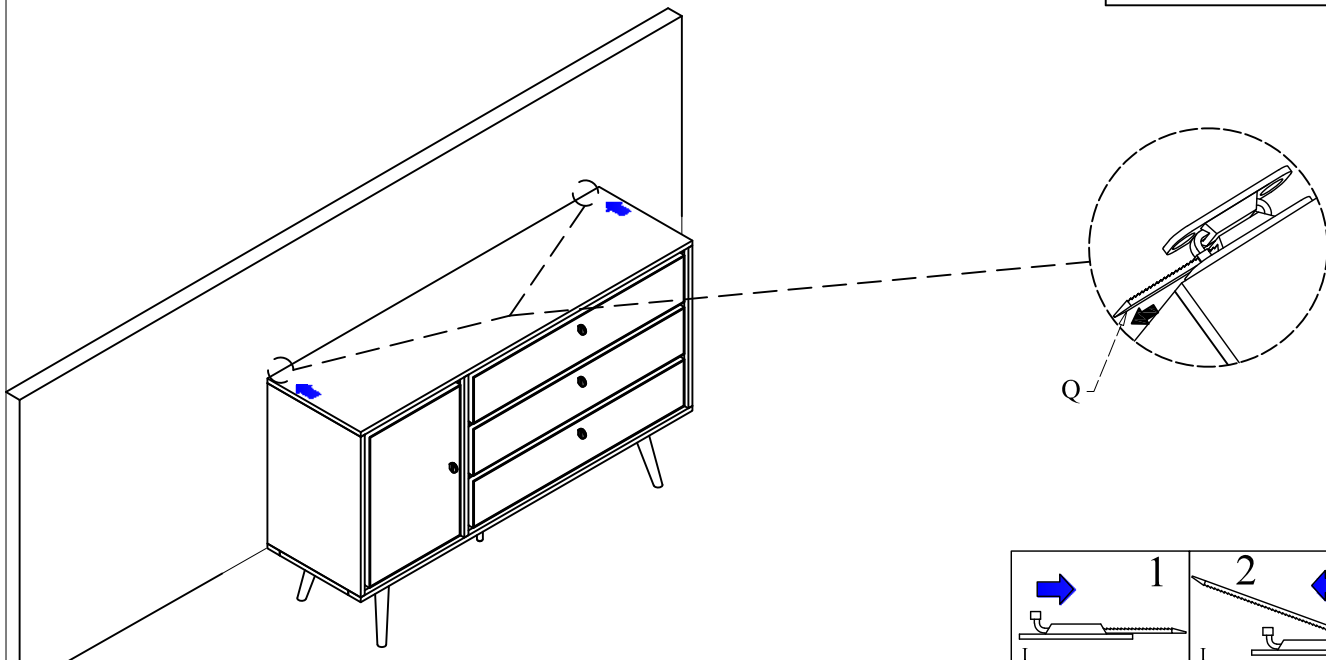
STEP 3

	M: Insert nut M6*50mm x 4	
	N: Screw M4*20	x 4
	O: Screw M4*40	x 4
	P: Anti flib A	x 4



STEP 4

	Q: Anti flip B	x 2
---	----------------	-----



STEP 5

