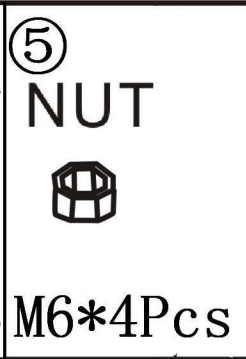
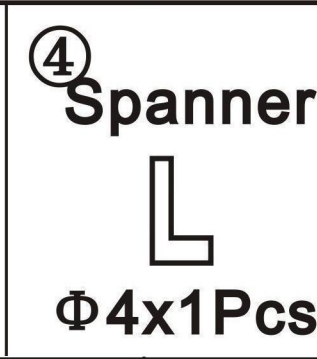
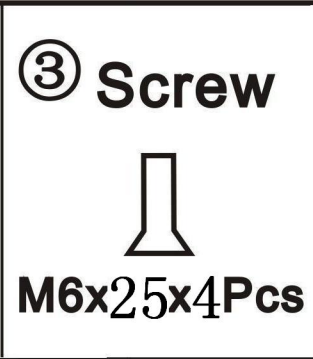
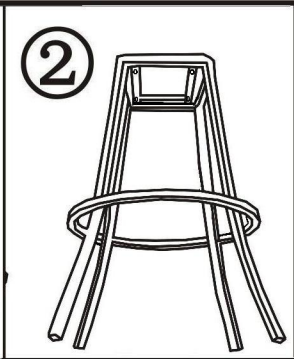
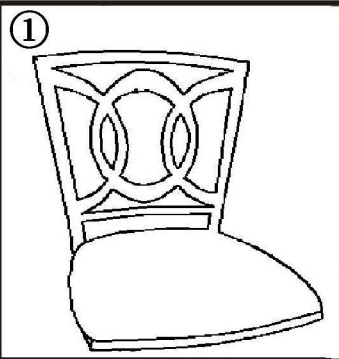
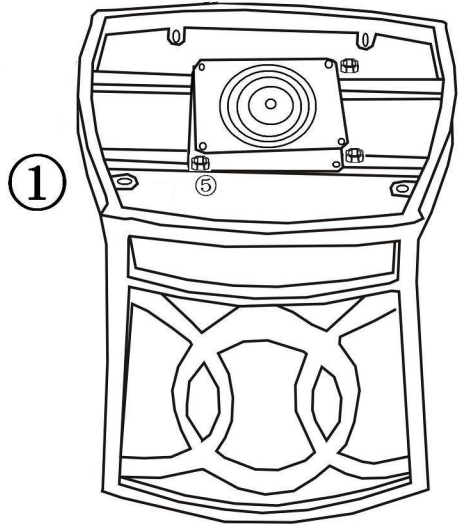
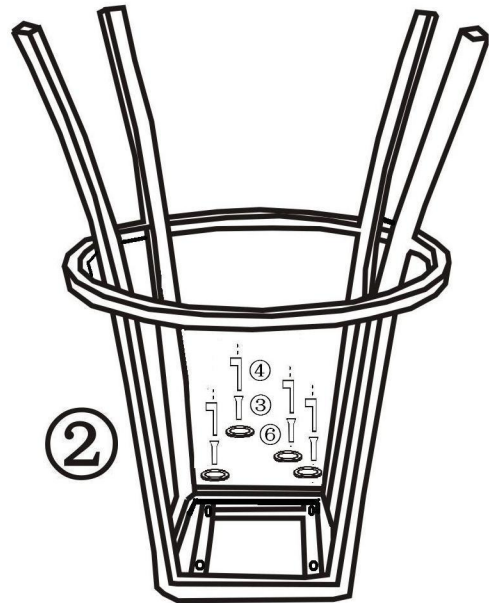


ITEM: 8215-BS/CS



STEP A



STEP B

