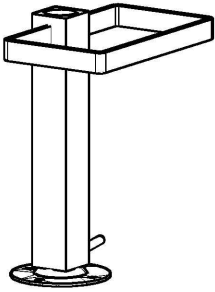

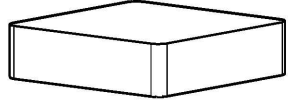




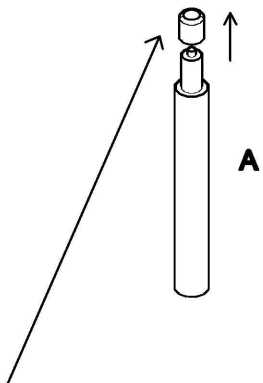
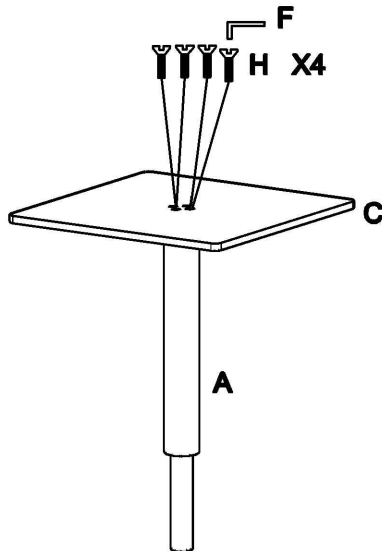
 <p>A: gas spring x1</p>	 <p>B: Footrest x1</p>	 <p>C: Bottom plate x1</p>	 <p>D: seat x1</p>	<ul style="list-style-type: none"> <li> E: Washer x4</li> <li> F: Allen wrench x2</li> <li> G: Bolt M6*18mm x4</li> <li> H: Bolt M6*25mm x4</li> </ul>
---	---	---	--	--

**STEP 1**



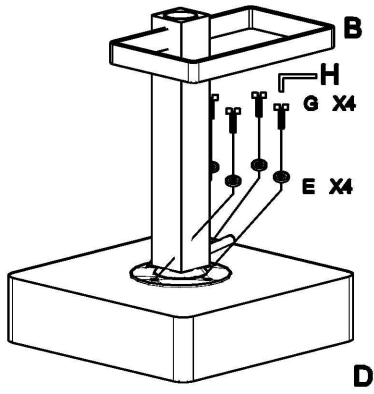
**IMPORTANT:**  
remove black cap before assembling

**STEP 2**



H X4

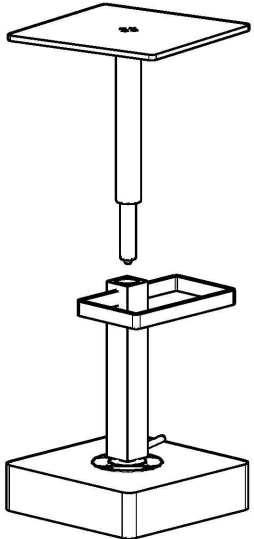
**STEP 3**



H X4

E X4

**STEP 4**



**STEP 5**

