







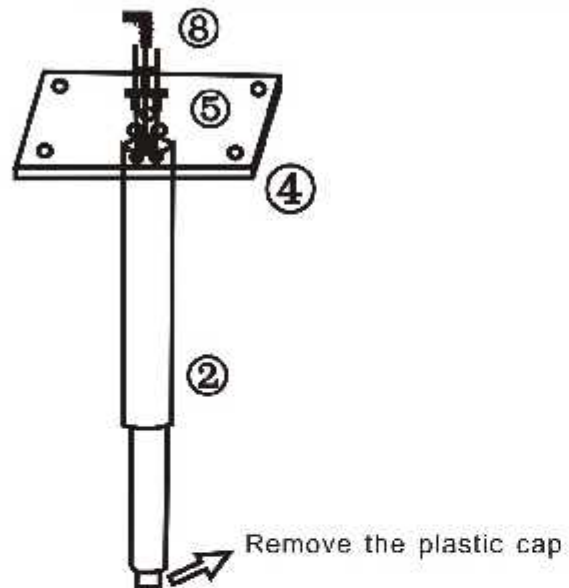
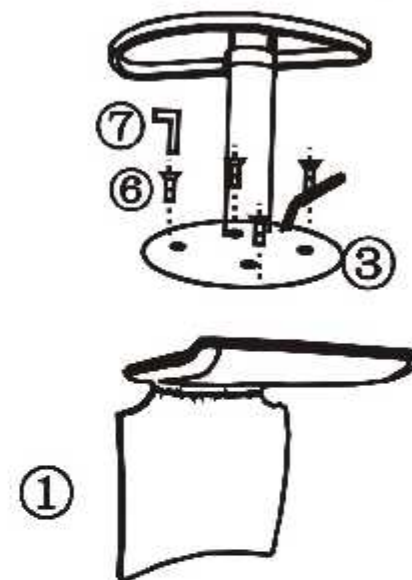


ITEM: 1515-GB	① SEAT 	② GAS LIFT 	③ COLUMN 	④ BASE 	⑤ Screw M8x30 3Pcs 	⑥ Screw M6x15 4Pcs 	⑦ Spanner Φ4x1Pcs 	⑧ Spanner Φ5x1Pcs 	
--------------------------------	--	---	---	---	---	---	---	---	--

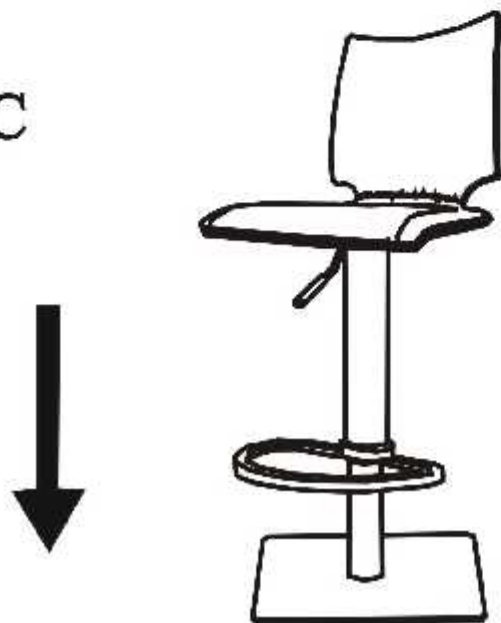
STEP A



STEP B



STEP C



STEP D

