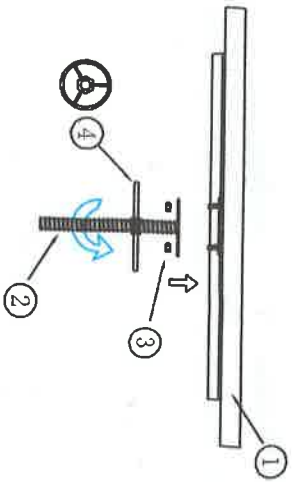


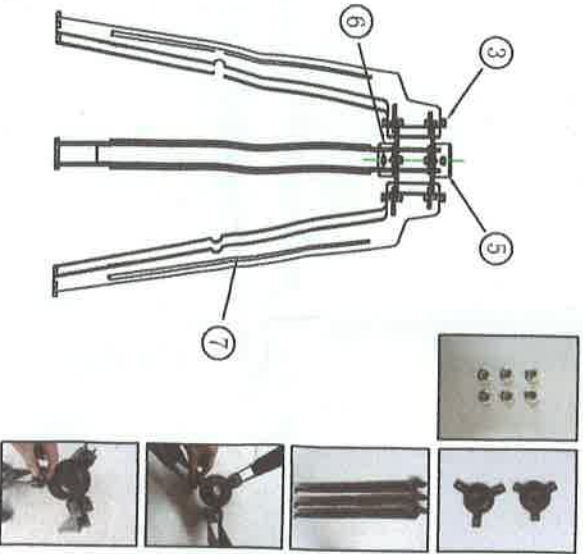
Furniture installation instructions

Step 1:
 ② through ①, lock the nut ③, in the use of open wrench reinforcement, in the ④ clockwise set in the top ②.



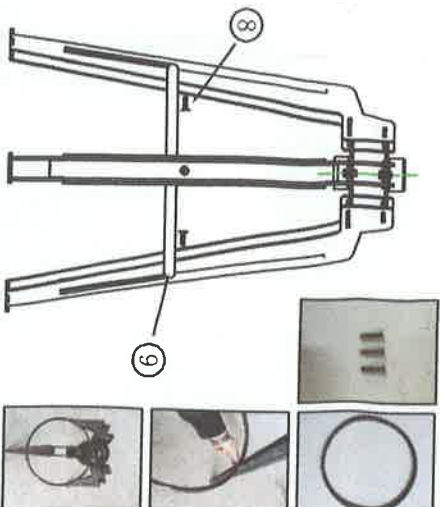
Step 2:

The first foot fixed plate ⑥ is fixed to 3 legs ⑦ screw, nut lock in M8. At your feet fixed on the ⑤ screw hole alignment on the table foot screw, nut lock in M8.



Serial number	name	Company	number
①	Table board	piece	1
②	screw rod	branch	1
③	M8 nut	grain	10
④	Regulating lock lever	piece	1
⑤	Foot fixing plate	piece	1
⑥	Foot fixing plate	piece	1
⑦	table leg	piece	3
⑧	M6 cross screw	grain	3
⑨	Connecting ring	piece	1

Step 3:
 First, the foot ring ⑨ is fixed to the middle of the card slot in the middle of the table is good, in the M6 cross screw ⑧ will be locked.



Step 4:

The upper part of A and B in a clockwise rotation of the screw down, until the next through the nut, to its seat height.

