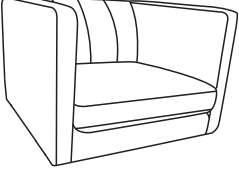
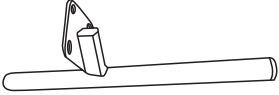

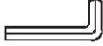


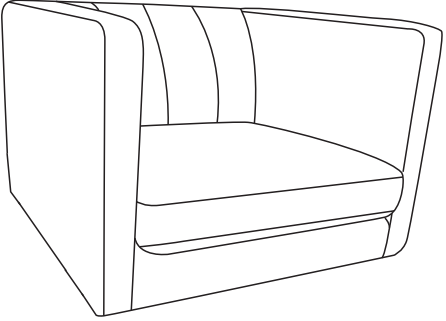
ITEM NAME/ NOM D'ITEM: JESS ACCENT CHAIR
ITEM#/NO.ITEM: 101855/101856/101857

PARTS LIST/LISTE DES PIÈCES

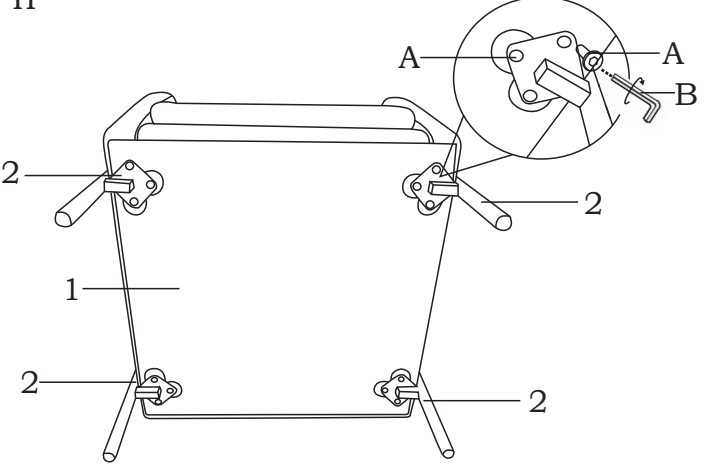
(1)	(2)	(3)
 <p style="text-align: center;">x1</p>	 <p style="text-align: center;">x4</p>	<p>A.  M8x30mm x12</p> <p>B.  6mm x1</p>

ASSEMBLY INSTRUCTIONS/ INSTRUCTIONS D'ASSEMBLAGE

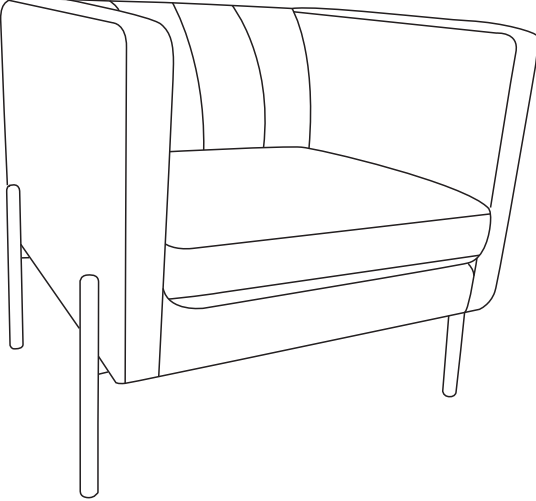
I



II



III



For missing parts or damaged parts, please call

USA: 1-866-798-6663

Canada: 514-382-6661

AI-1-200307