
















**ITEM NAME / NOM D'ITEM: CARTHAGE TABLE**  
**ITEM# / NO. ITEM: 101864**

## PARTS LIST / LISTE DES PIÈCES

(1)	(2)	(3)	(4)	(5)	(6)
					A. 4mm  x1 B. 13.5mm  x1 C. Ø 8mm  x6 D. Ø 8mm  x6 E. Ø 8mm  x6 F. M6x45mm  x16 G. Ø 6mm  x16 H. Ø 6mm  x16 I. Ø 10mmx30mm  x6 J. Ø 30mm  x4
x1	x1	x4	x2	x2	

## ASSEMBLY INSTRUCTIONS / INSTRUCTIONS D'ASSEMBLAGE

### I

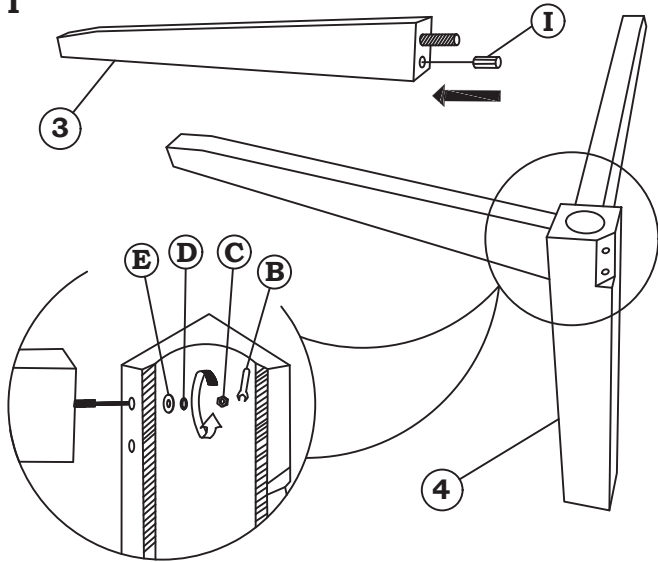


Diagram I shows the attachment of part 3 to part 4. Part 3 is inserted into part 4. Screws I are used to secure the connection. A circular inset shows a close-up of the joint with parts B, C, D, and E.

### II

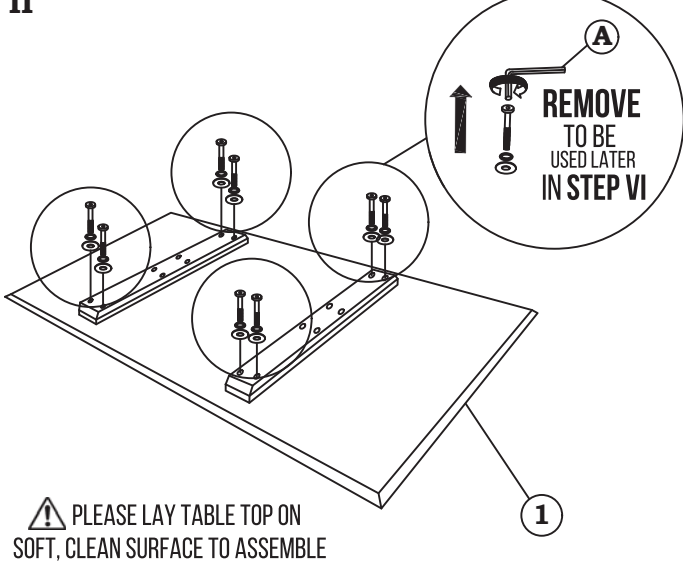


Diagram II shows the attachment of part 5 to part 1. Part 5 is placed on top of part 1. Screws A, F, G, and H are used to secure the connection. A circular inset shows a close-up of the joint with part A. A warning box states: "REMOVE TO BE USED LATER IN STEP VI".

**⚠ PLEASE LAY TABLE TOP ON SOFT, CLEAN SURFACE TO ASSEMBLE**

### III

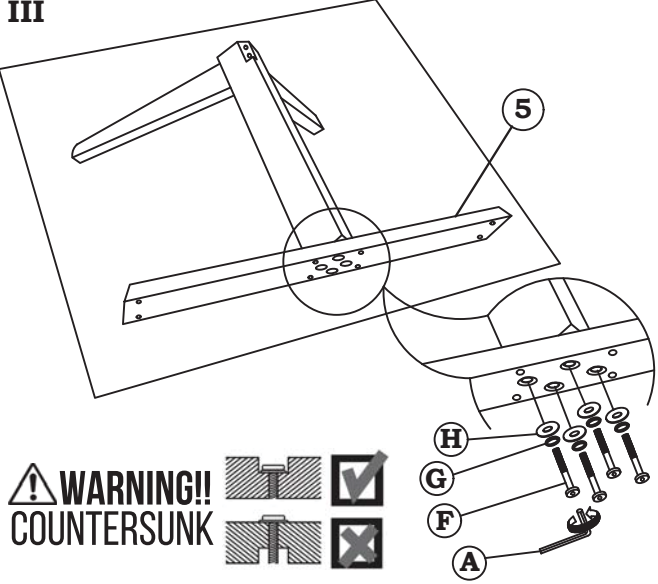
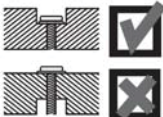


Diagram III shows the attachment of part 2 to part 1. Part 2 is placed on top of part 1. Screws A, F, G, and H are used to secure the connection. A circular inset shows a close-up of the joint with parts A, F, G, and H.

**⚠ WARNING!! COUNTERSUNK**



### IV

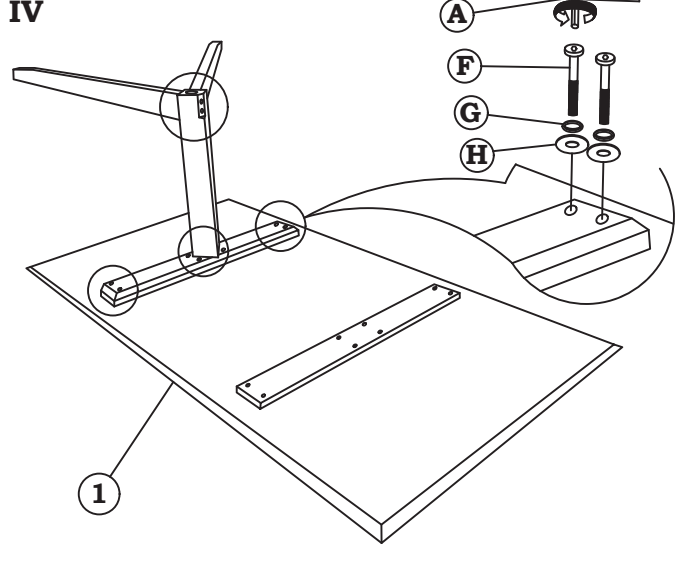
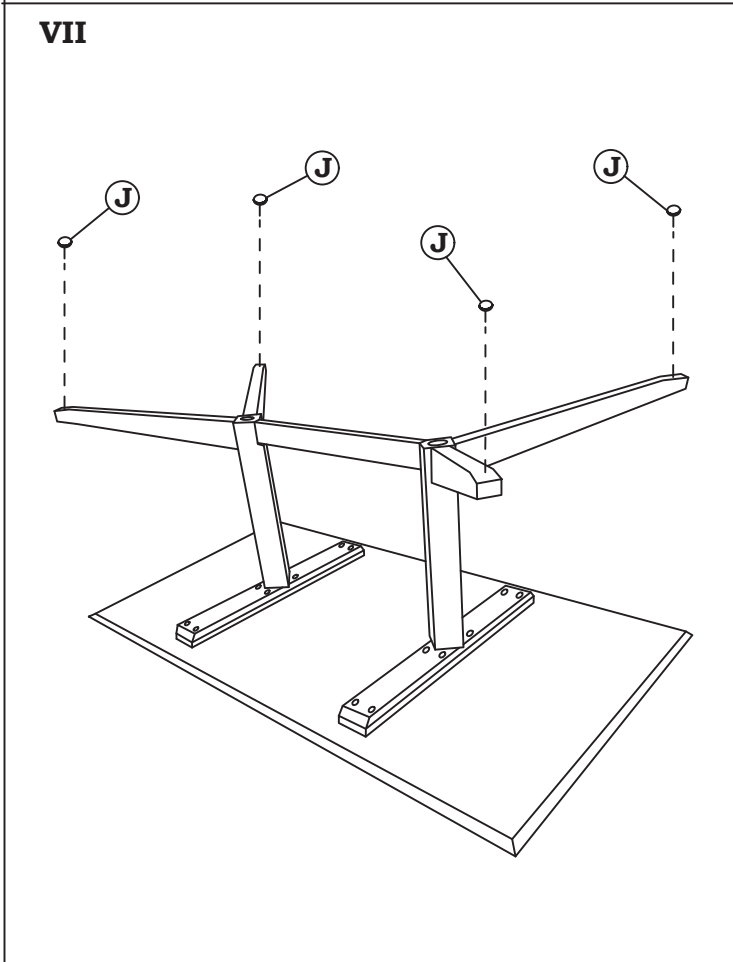
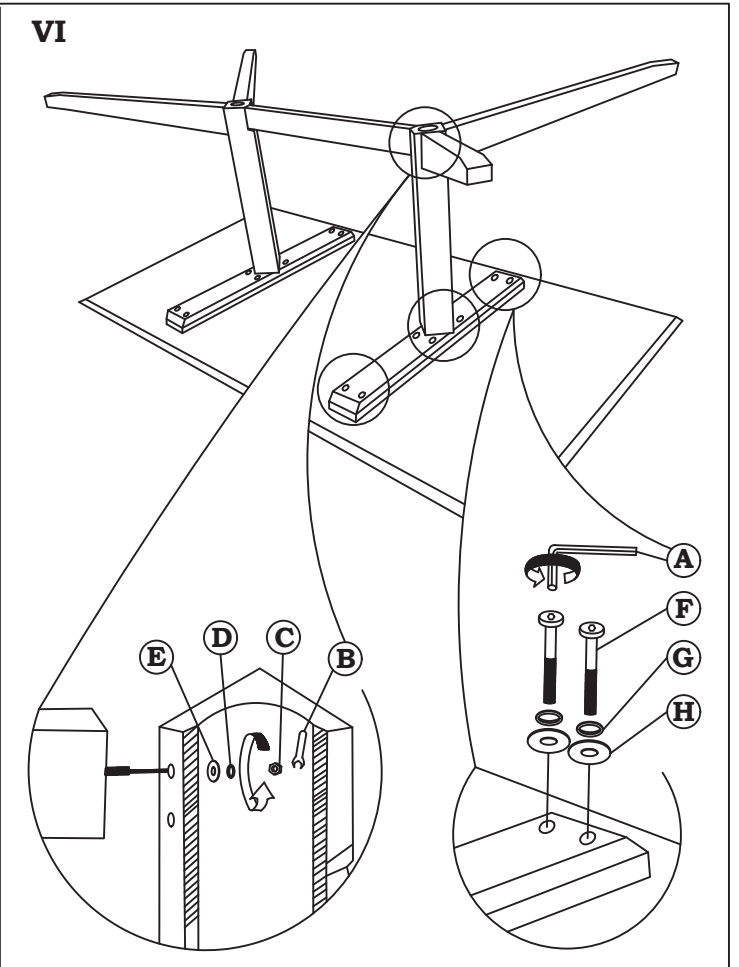
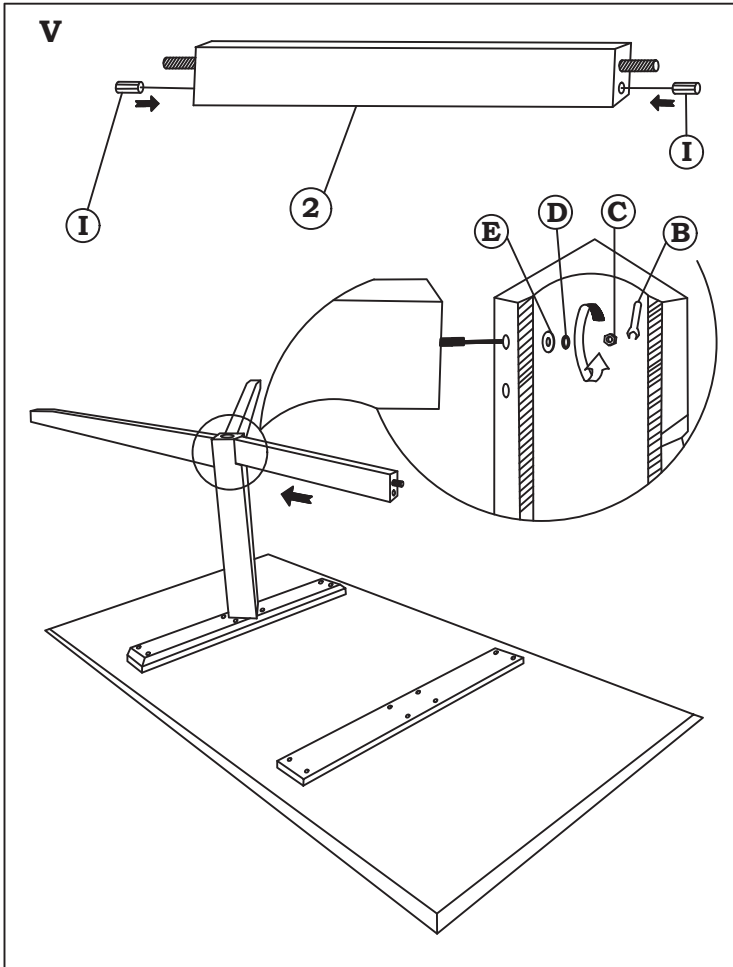


Diagram IV shows the final assembly step. Part 1 is shown with parts 2, 3, 4, and 5 attached. Screws A, F, G, and H are used to secure the connection. A circular inset shows a close-up of the joint with parts A, F, G, and H.



For missing parts or damaged parts, please call

USA : 1-866-798-6663  
Canada : 514-382-6661