

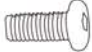




**ITEM NAME/NOM D'ITEM: SAMUEL SIDE TABLE**

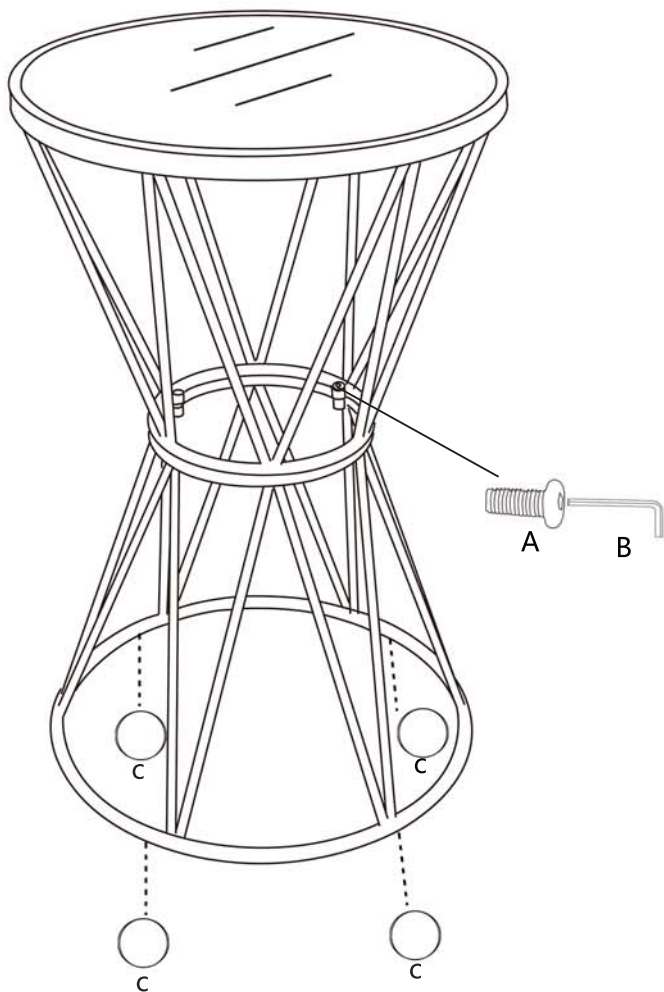
**ITEM # /NO.ITEM: 101929**

## PARTS LIST/LISTE DES PIÈCES

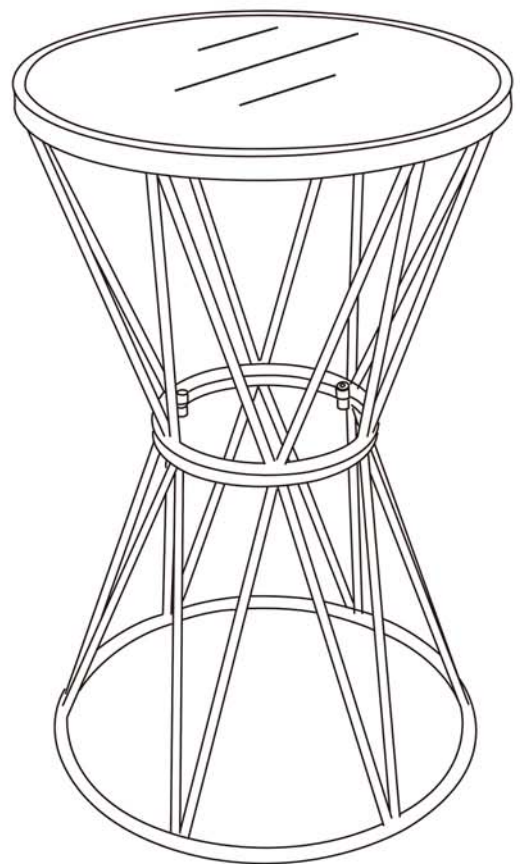
(1)	(2)	(3)
 <p style="text-align: right;">× 1</p>	 <p style="text-align: right;">× 1</p>	<p>A.  M6×16mm × 3</p> <p>B.  6mm × 1</p> <p>C.  15mm × 4</p>

## ASSEMBLY INSTRUCTIONS/INSTRUCTIONS D'ASSEMBLAGE

I



II



For missing parts or damaged parts, please call

USA : 1-866-798-6663

Canada : 514-382-6661

AI-V1-201124