
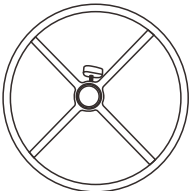

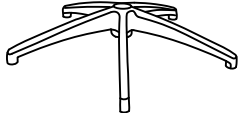
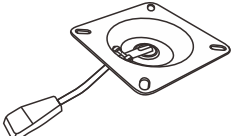



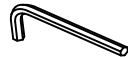


ITEM NAME /NOM D' ITEM:STACY DRAFTER OFFICE CHAIR

ITEM # /NO. ITEM:102011(WHITE/BLANC)

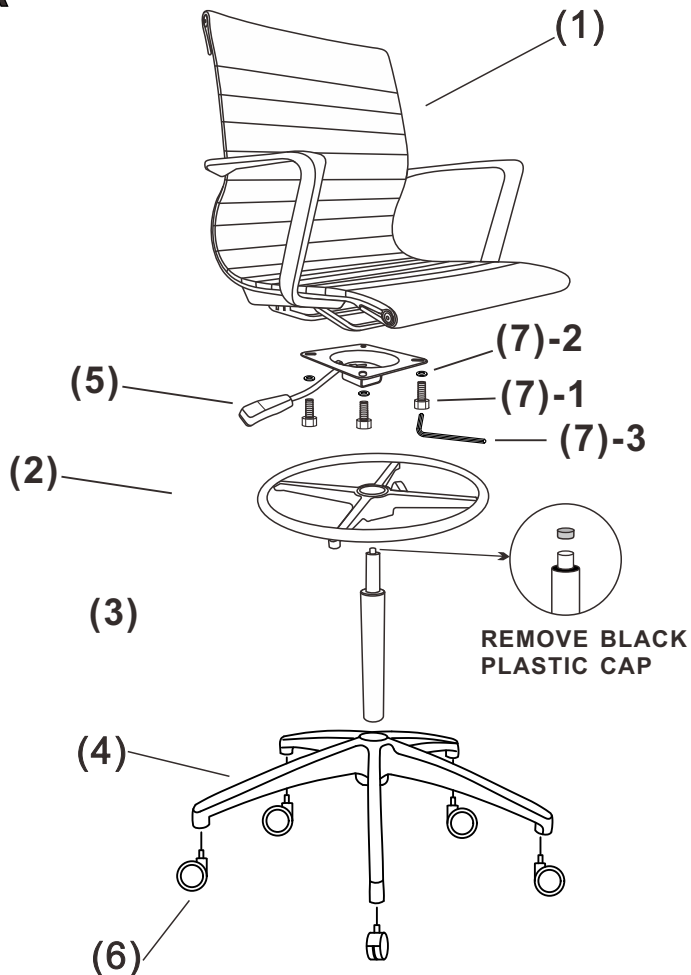
Enquiry:parts@zuomod.com

PART LIST/Liste des pièces

(1)	(2)	(3)	(4)
 X1	 X1	 X1	 X1
(5)	(6)	(7)	
	 X5	1、  X4 8X12MM	
		2、  X4	
		3、  X1	

INSTRUCTION

A



B

