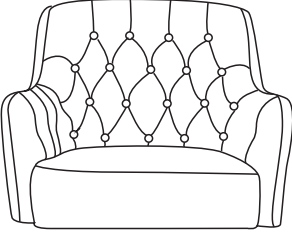
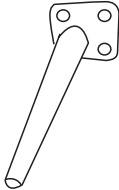


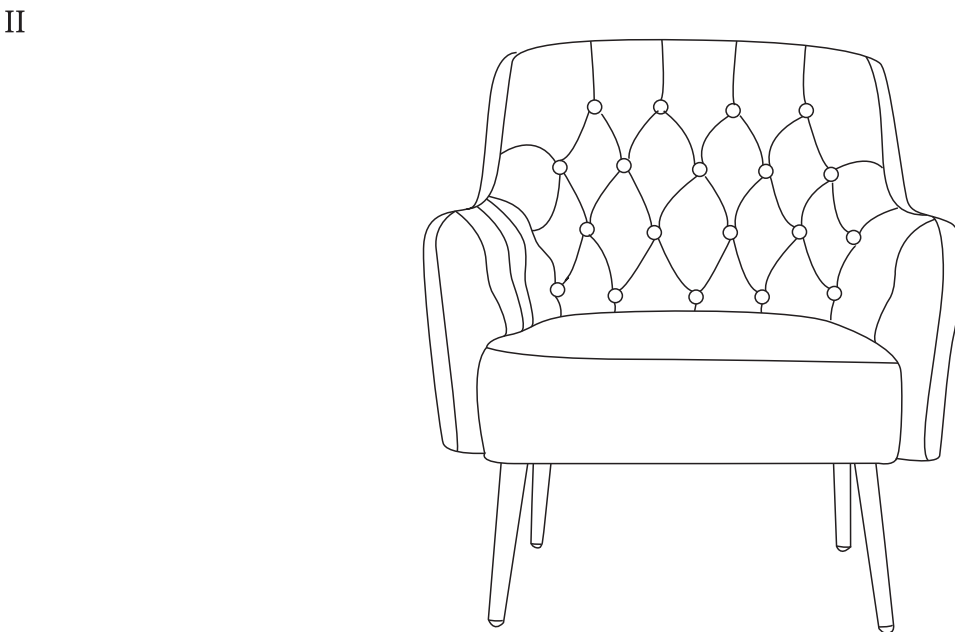
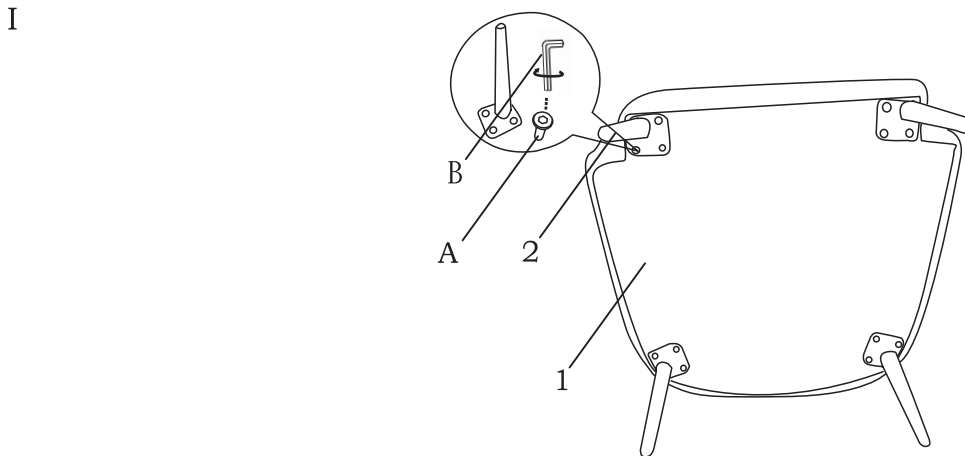


ITEM NAME / NOM D'ITEM: TASMANIA ACCENT CHAIR
ITEM #/NO. ITEM: 109053/109054/109097

PARTS LIST/LISTE DES PIÈCES

(1)	(2)	(3)
 <p style="text-align: right;">x1</p>	 <p style="text-align: right;">x4</p>	<p>A.  M8x30mm x12</p> <p>B.  6mm x1</p>

ASSEMBLY INSTRUCTIONS/ INSTRUCTIONS D'ASSEMBLAGE



For missing parts or damaged parts, please call

USA : 1-866-798-6663

Canada : 514-382-6661